

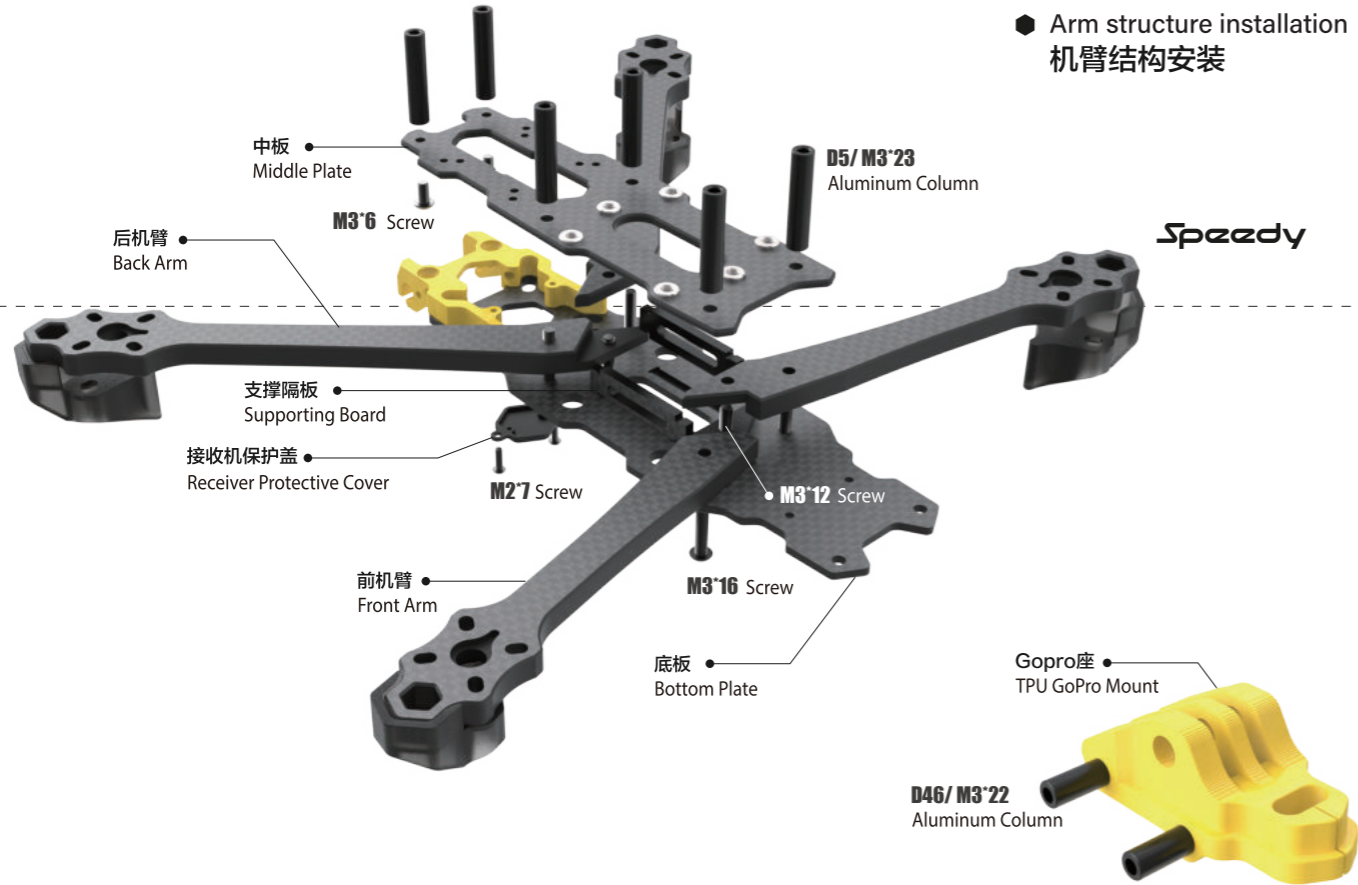
MARIO 5

机架安装指引

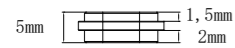
Installation

*(Note: 3D effect requirements, the actual object shall prevail)

*(注: 3D效果需求, 具体以实物为准)

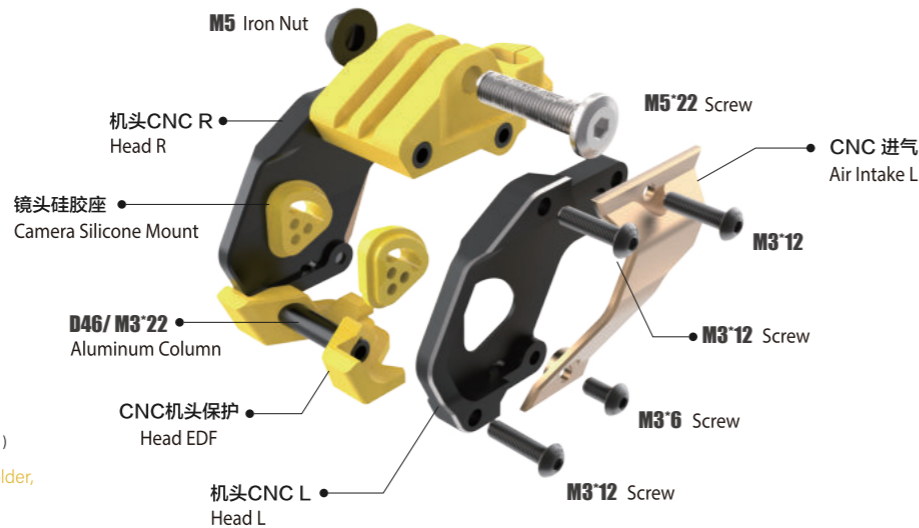


2 CNC head installation
CNC机头安装

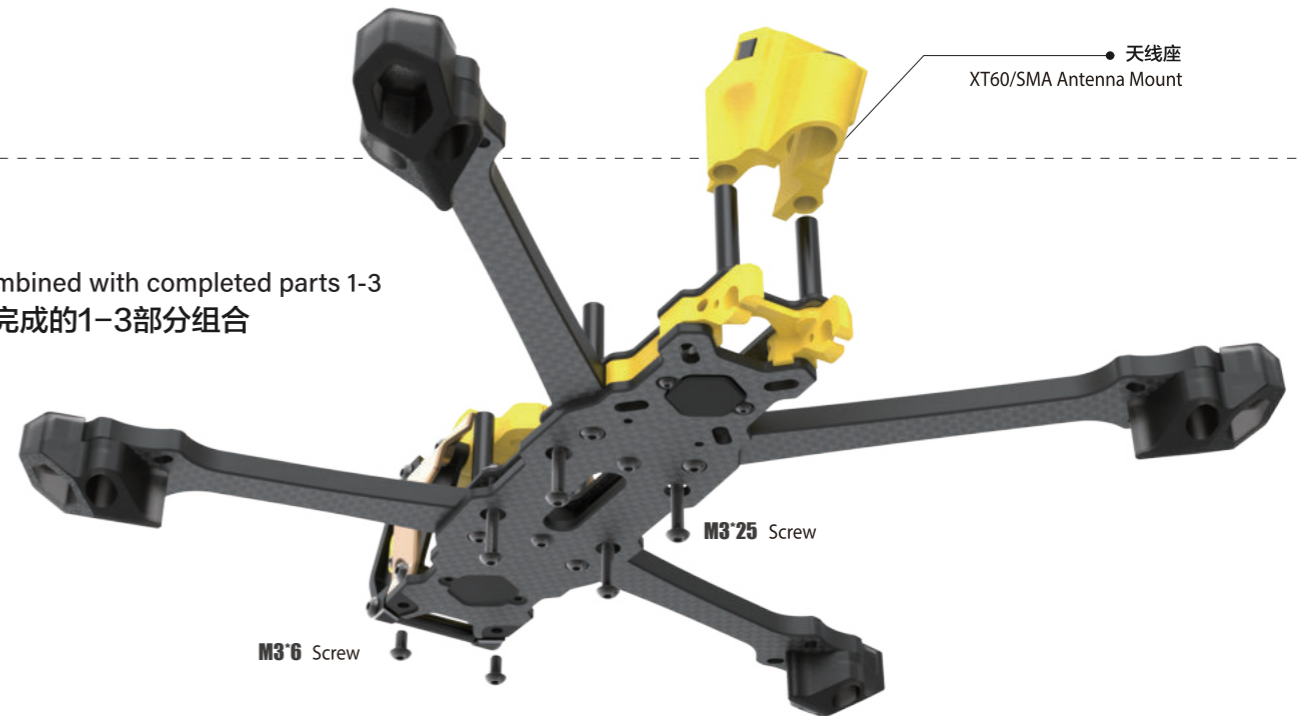


(注: 双面安装硅胶镜头座, 支持19、20mm两种规格。)

*(Note: Double sided installation of silicone lens holder, supporting two sizes of 19 and 20mm)



4 Combined with completed parts 1-3
与完成的1-3部分组合



(注: 将会持续设计开源不同的使用需求。)

(Note: Ongoing design and open-source for diverse usage.)

GPS/SMA*2



XT60/SMA*2

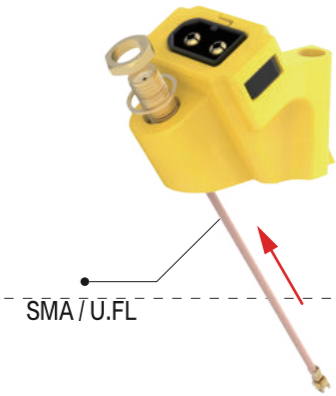


XT60/SMA



3

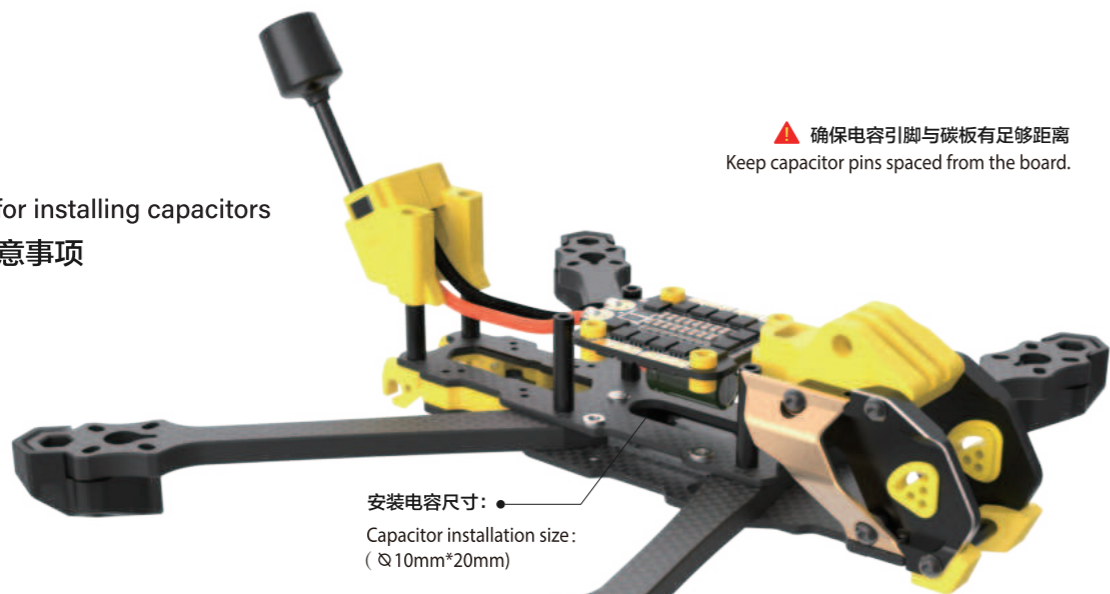
Installation of VTX antenna
图传天线安装



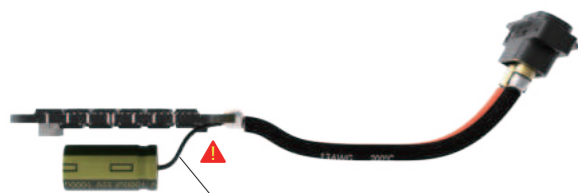
5

Precautions for installing capacitors 安装电容注意事项

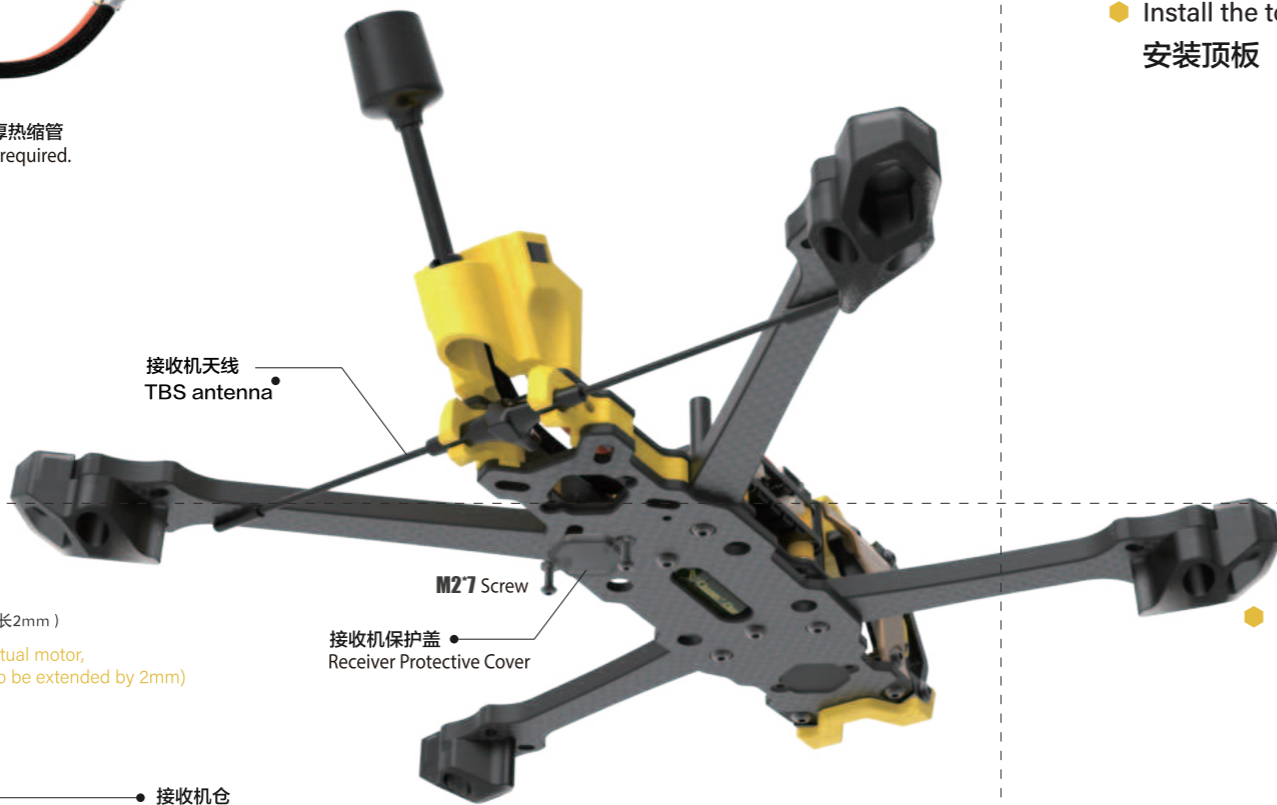
▲ 确保电容引脚与碳板有足够距离
Keep capacitor pins spaced from the board.



安装电容尺寸:
Capacitor installation size:
(10mm*20mm)



引脚必须加厚热缩管
Extra-thick heat shrink tubing required.



接收机天线
TBS antenna

M27 Screw

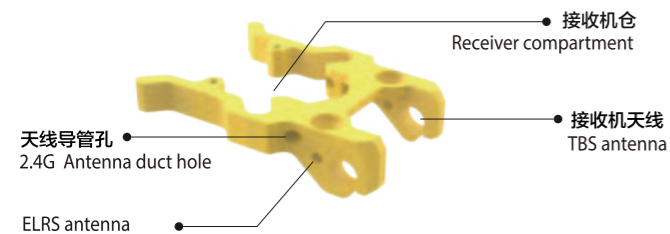
接收机保护盖
Receiver Protective Cover

6

Installing receiver antenna 安装接收机天线

*(注: 螺丝长度以电机实际为准, 电机保护座端螺丝需加长2mm)

*(Note: The length of the screw is based on the actual motor, and the screw for motor protective mount needs to be extended by 2mm)



天线导管孔
2.4G Antenna duct hole

ELRS antenna

接收机仓
Receiver compartment

接收机天线
TBS antenna

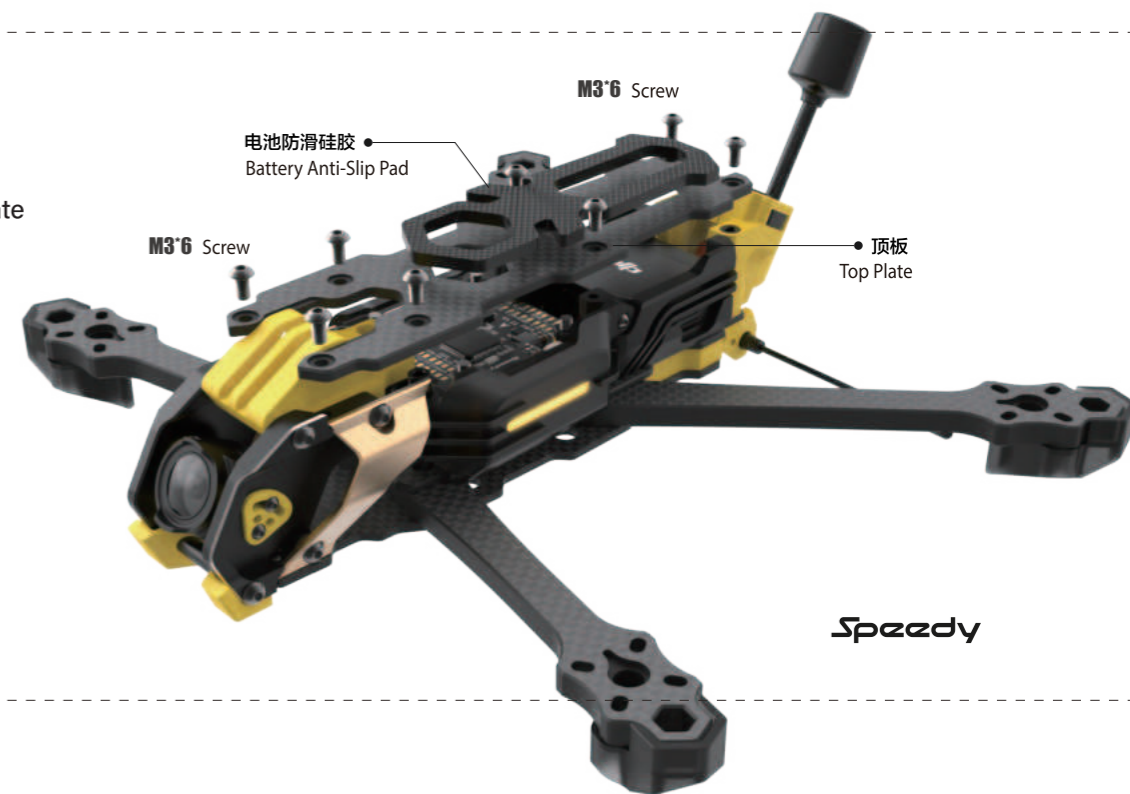
8

Install the top plate 安装顶板

拆下底部4颗螺丝
Remove the bottom 4 screws

O3散热侧板
DJI O3 CNC heat dissipation

M1.6*8 Screw



电池防滑硅胶
Battery Anti-Slip Pad

M3*6 Screw

顶板
Top Plate

Speedy

请扫描二维码获取安装指南
建议您通过SpeedyBee App 扫描以获取更详细的安装指南

Scan the QR code to get the installation guide.
We recommend you scan it through the SpeedyBee App for detailed instructions.



SpeedyBee APP



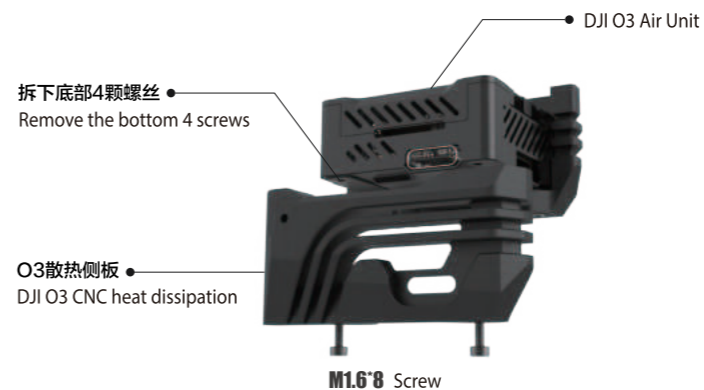
Installation guide



Facebook QR Code

7

DJI O3 Air Unit Installation Method DJI O3 Air Unit 安装方式



DJI O3 Air Unit

拆下底部4颗螺丝
Remove the bottom 4 screws

O3散热侧板
DJI O3 CNC heat dissipation

M1.6*8 Screw

MARIO 5

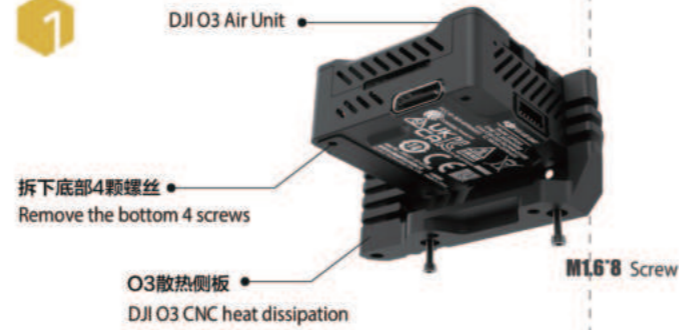
Upgrade Kit B

Installation

(DJI O3 Air Unit Only)

Speedy Bee

1

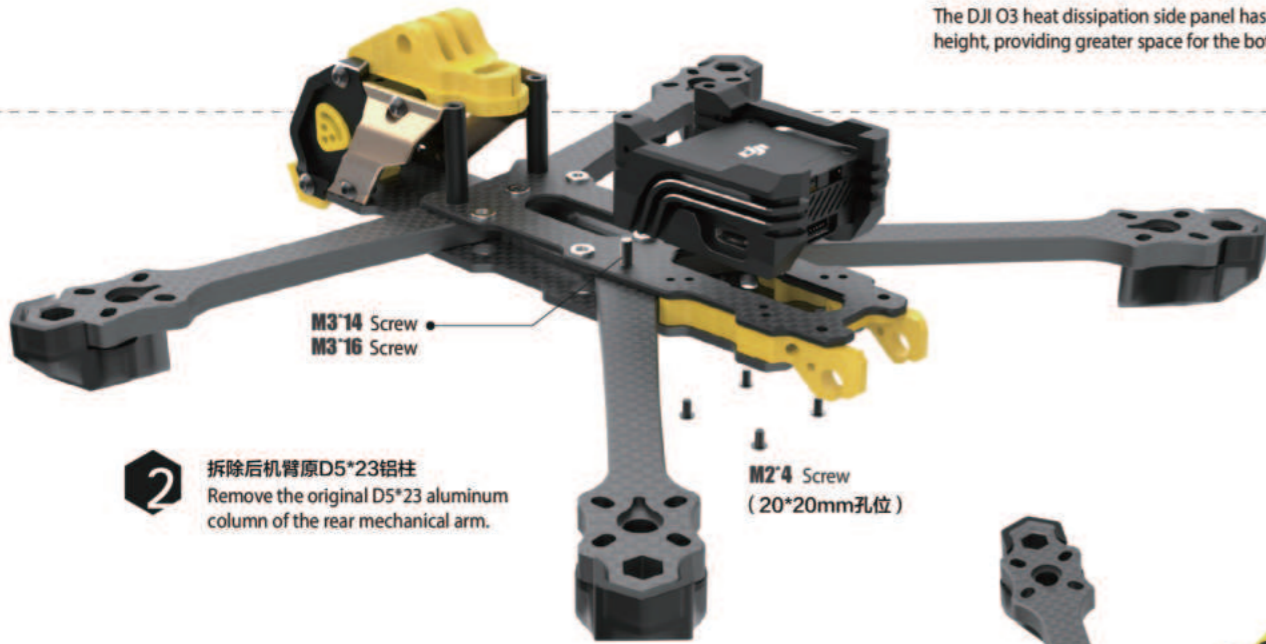


DJI O3散热侧板增加了安装高度，为底部的过线提供更大的空间。
The DJI O3 heat dissipation side panel has increased the installation height, providing greater space for the bottom wire passing.



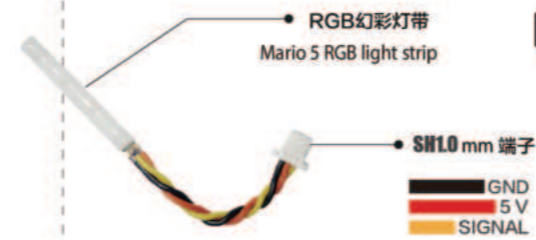
2

拆除后机臂原D5*23铝柱
Remove the original D5*23 aluminum column of the rear mechanical arm.



*(注：可在散热侧板与DJI O3的接触面增加散热硅脂，提高散热效果。)
Note: Heat dissipation silicone grease can be added to the contact surface between the heat dissipation side plate and the DJI O3 heat dissipation side plate to improve the heat dissipation effect.

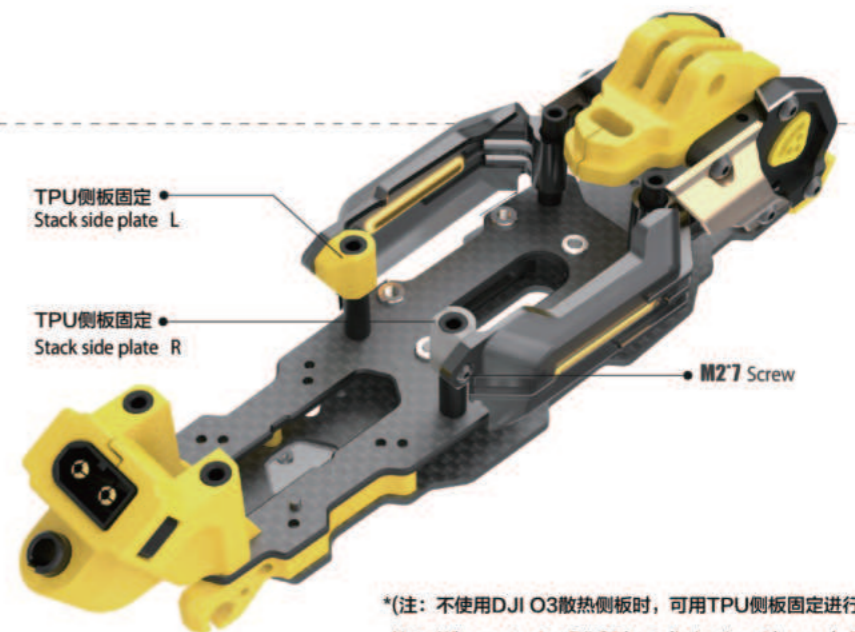
4



*(注：使用端子与飞控连接时，注意线序是否正确，避免烧毁RGB灯带。)
Note: When connecting terminals to the Flight Controller, ensure that the wire sequence is correct to avoid burning the RGB light strip.

3

将飞塔保护侧板斜卡入铝柱上
Insert the stack protection side plate diagonally onto the aluminum column.



*(注：不使用DJI O3散热侧板时，可用TPU侧板固定进行紧固。)
Note: When not using DJI O3 heat dissipation side panels, TPU side panels can be used for tightening.