

Master 5 V2

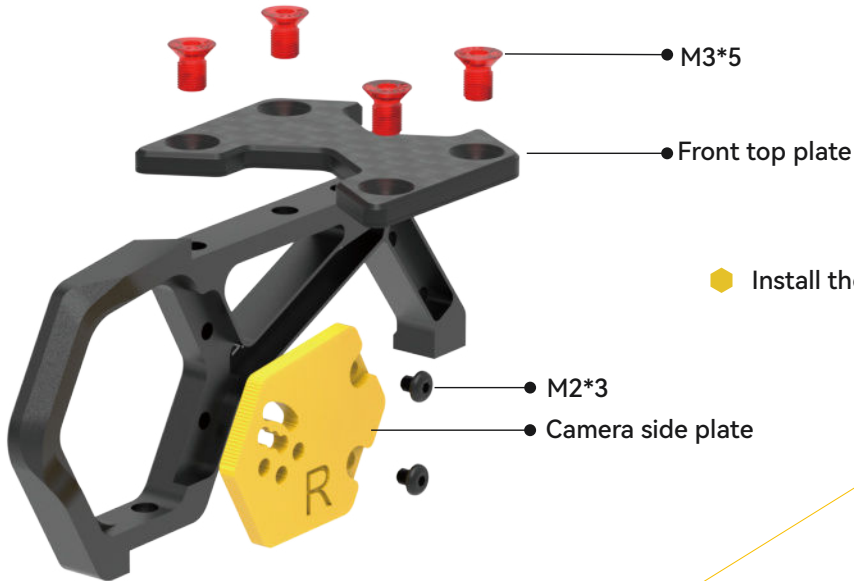


Installation Guidelines

* (Note: 3D effect requirements, the actual object shall prevail)

1

◆ CNC camera mount and camera side plate installation



◆ Install the front top plate

◆ Antenna Installation Sequence

◆ insert the O-ring into the antenna to secure it on the TPU antenna base.



2

Install the multi-function antenna base

4 Choose a suitable VTX antenna base

(*Note: pictures for assembly reference only.
Frame doesn't include antenna)

SMA antenna base

M2.5*8

1 Install the plate on one side
and GPS base

Choose a suitable VTX antenna base

2 Install the T-shaped antenna

M3*23 standoff

O3 Air Unit antenna base

M2.5*8

Button head hex socket screw

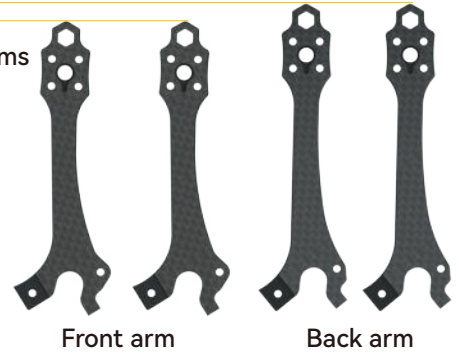
GPS installation base

(Size:18*18*8mm)

Install the plate on the other side

3

*Notice: front and back arms



Install arms and anti-vibration module

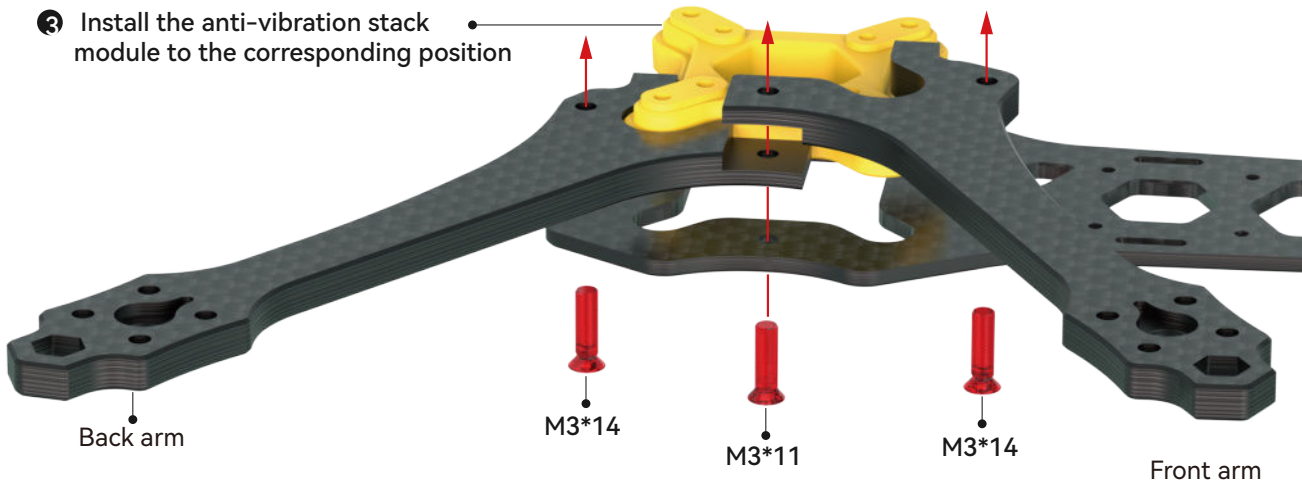
(Complete the installation of 4 arms in turn)

1 Screws pass through the bottom plate and the intersection position of the arms in turn

Direction for drone head



3 Install the anti-vibration stack module to the corresponding position



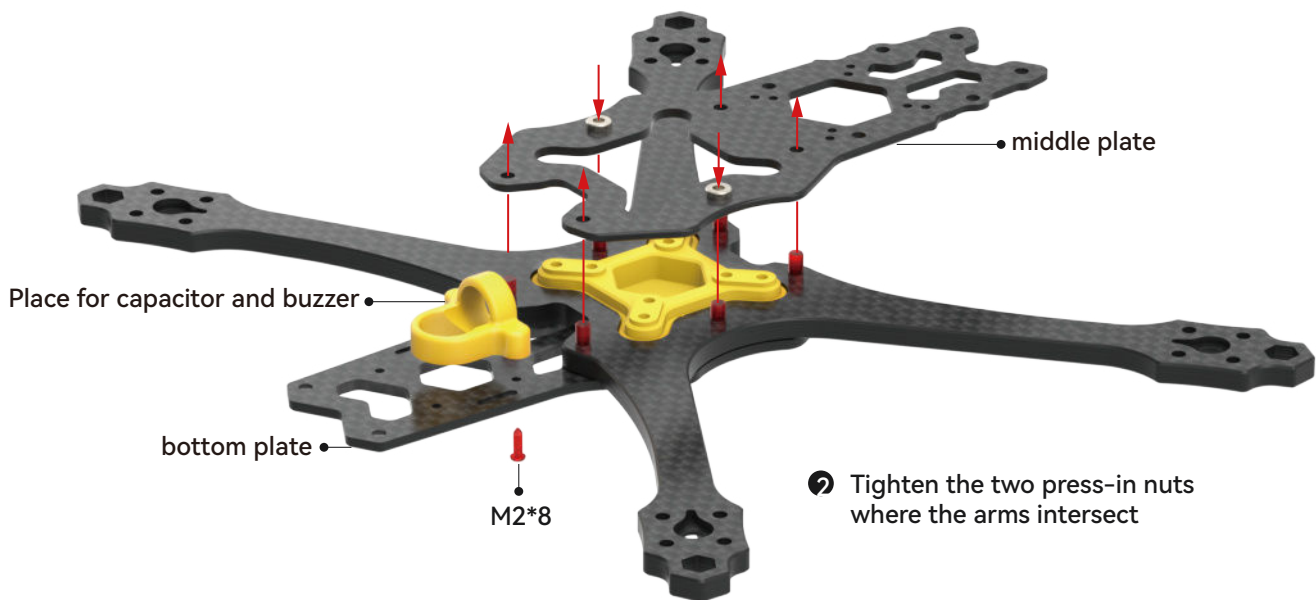
2 Install the screws on both sides in the same way

4 Install 4 arms in the same way

4

Install middle plate

- 1 Install the middle plate to the corresponding 6 screw positions



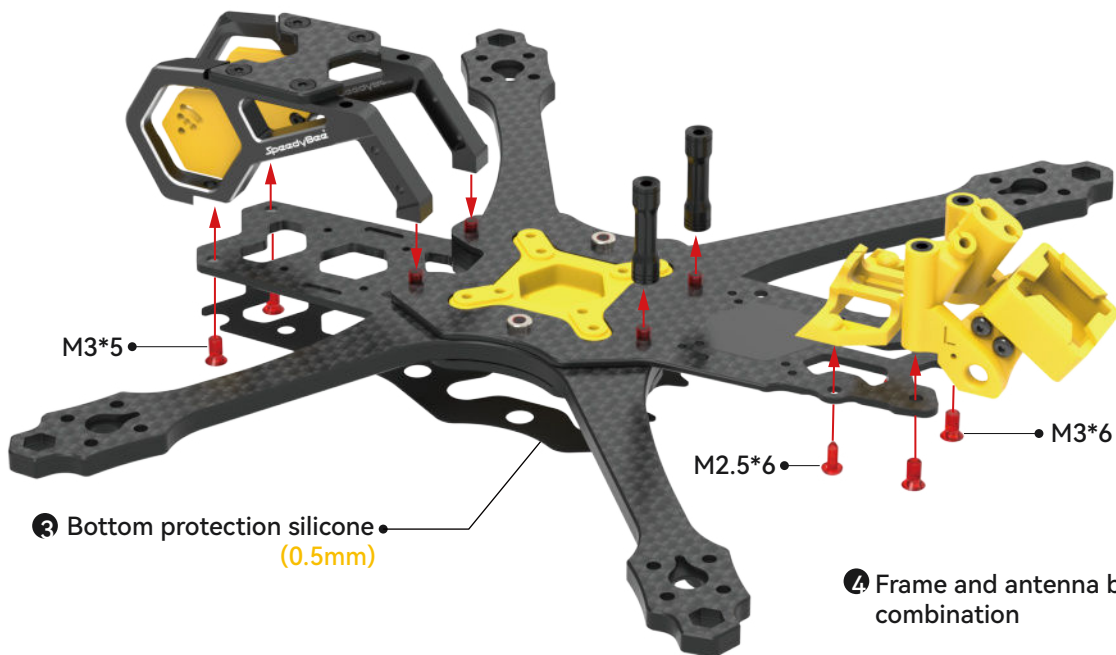
- 2 Tighten the two press-in nuts where the arms intersect

5

◆ Combination with completed parts 1 and 2

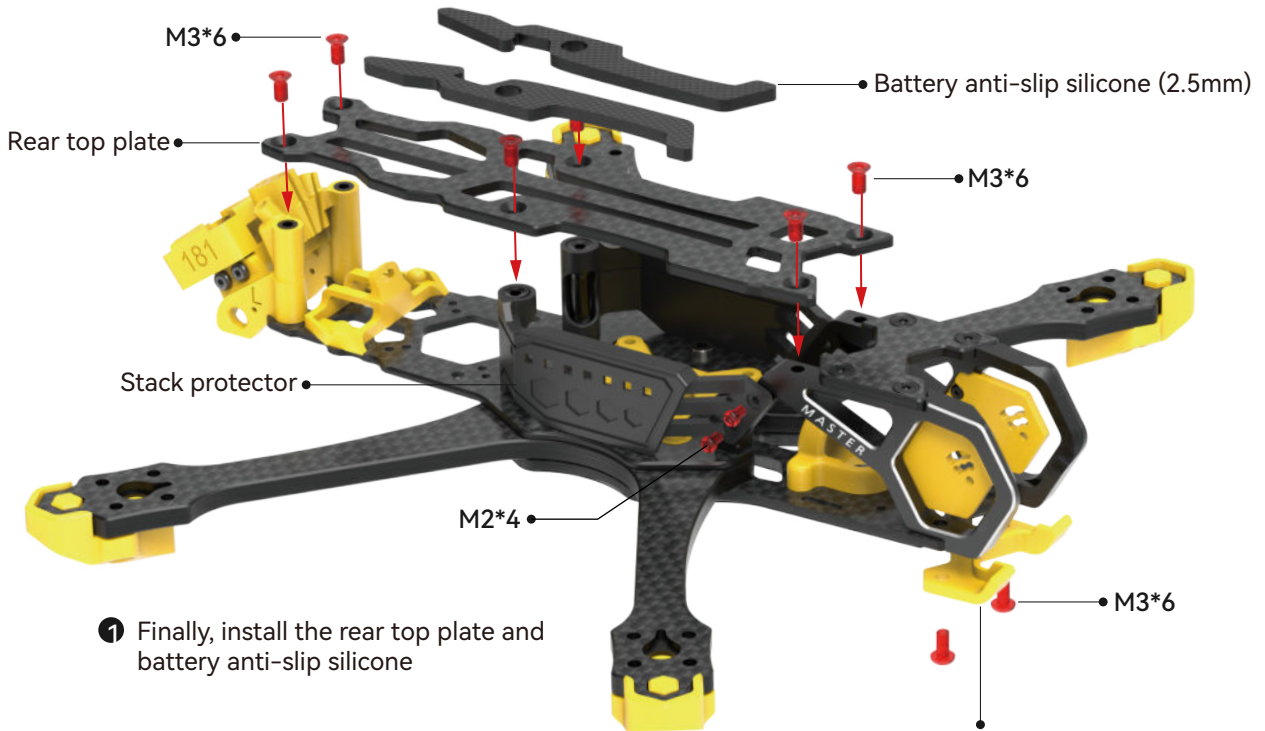
① Combination of frame and CNC camera mount

② Install 7075 standoff



6

Install rear top plate and battery anti-slip silicone



1 Finally, install the rear top plate and battery anti-slip silicone

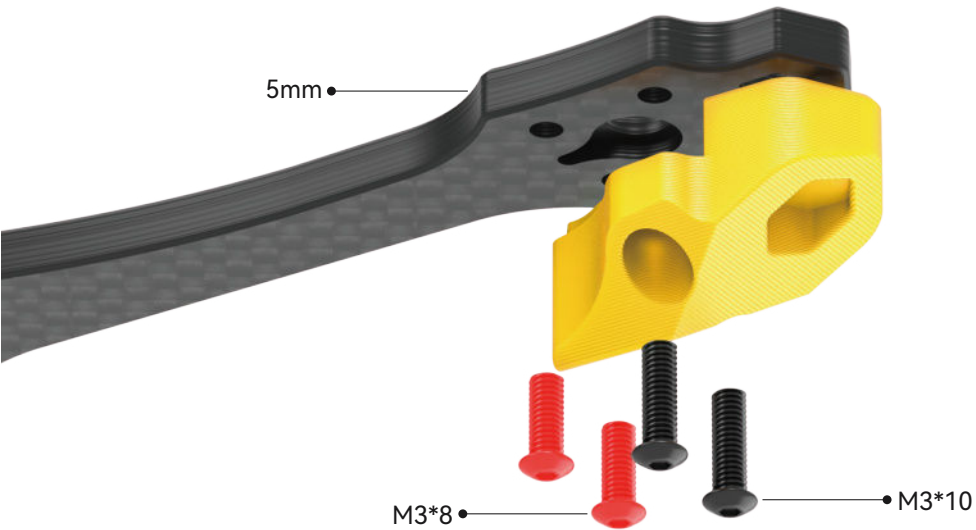
*Notice: please change to M3*6 button head hex socket screws if installing TPU protection at the drone head part.

7

◆ Arm foot mount installation

① Install the 3D printed foot mount to arms

② Use screw of proper length based on the motor installation

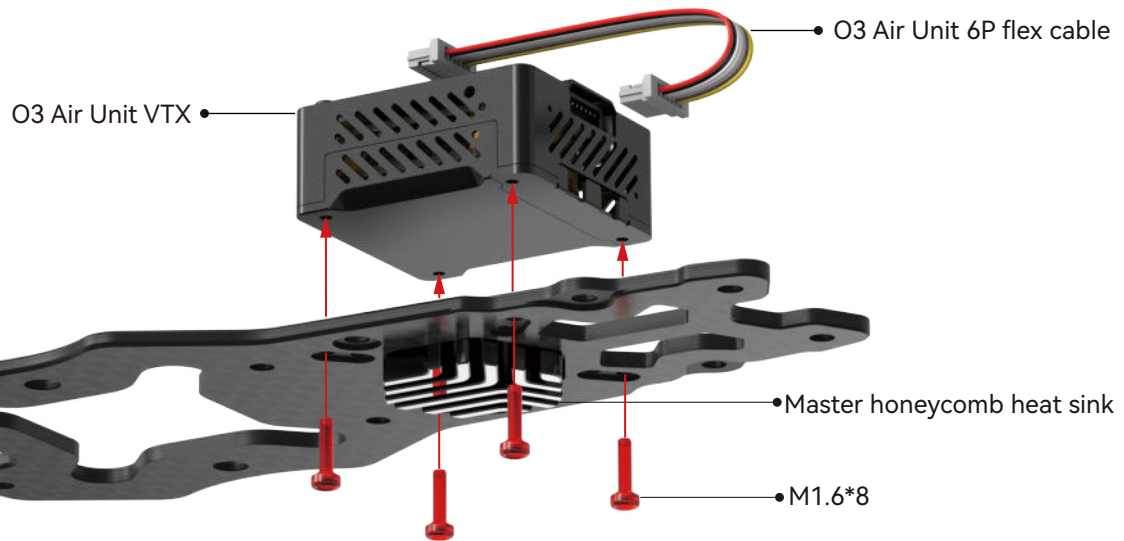


(*Notice: default screws are M3*8mm, M3*10mm)

8

◆ O3 Air Unit Installation Method

◆ Pass through the top of the VTX



◆ The 4 original screws at the bottom of the O3 Air Unit need to be removed

9

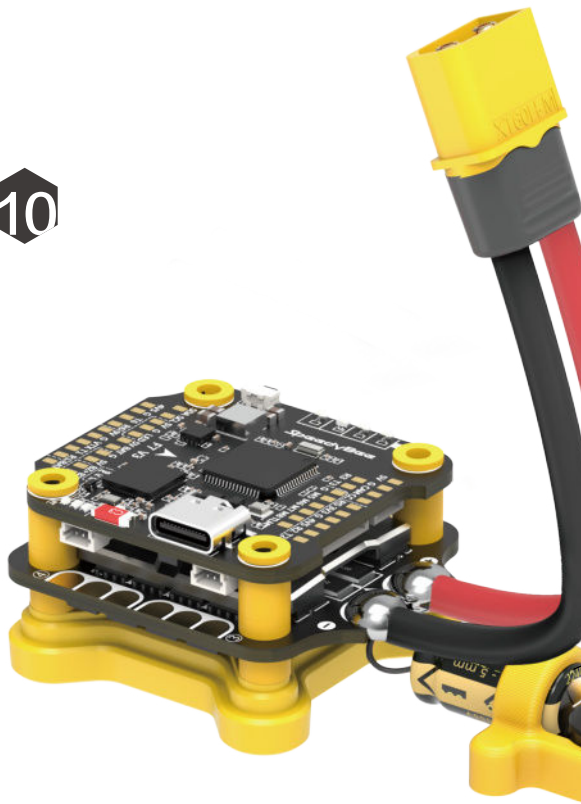
◆ Recommend installing ESC in reverse horizontally 180°

*Note (After the ESC is installed reversely, remember to redefine the correct position and direction of motors 1-4.)

It is recommended to keep the power cable of ESC to be about 100mm.
Please refer to the used battery for actual length.



10



ESC power cable soldering and recommended length for cable of motor

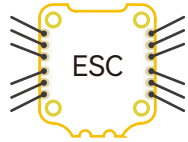
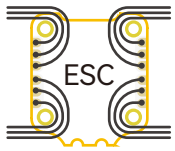
*Note: connect buzzer with ⊕ mark to BZ+ of flight controller, and buzzer without mark to BZ-

Capacitor

Buzzer

Inner motor wire recommended length: 110mm

Outer motor wire recommended length: 93mm



1:1 Scale





- Scan the QR code to get the installation guide.
We recommend you scan it through the SpeedyBee App for detailed instructions.



SpeedyBee APP



Installation Guidance



Facebook QR Code