

## DN40 Industrial Water Flow Sensor 1.5 inch



Water flow sensor is mainly composed of plastic valve body, flow of rotor components and hall sensor. It is installed in the water heater inlet, used to detect water flow, when the water through flow rotor components, Magnetic rotor rotation and speed changes with the flow, hall sensor output pulse accordingly Signal feedback to the controller by the controller to judge the size of the water flow, adjust and control.

### **Features:**

- Light weight, easy to install
- Inlaid with stainless steel impeller shaft, durable wearable.
- Seal Ring with the upper and lower force structure never leaks.
- Suitable for automatic gas water heaters
- Waterproof, Heat resistance, pressure resistance, cold resistance

### **Specification:**

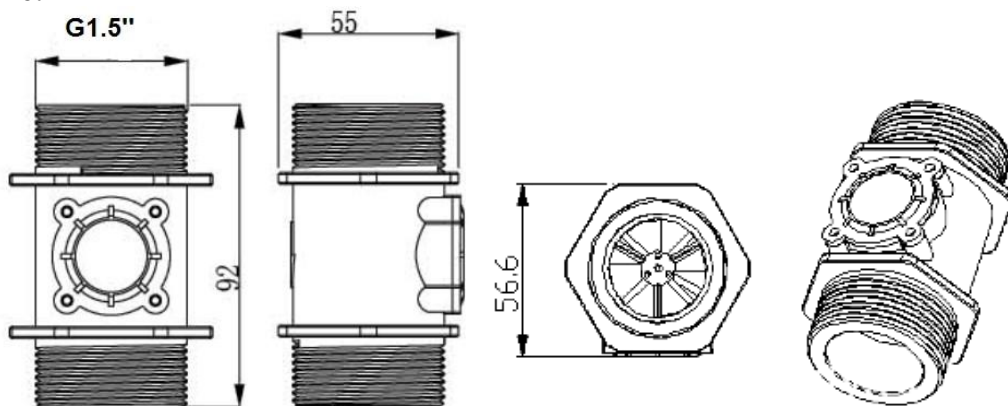
- The lowest rated working voltage: DC 5V-24V
- Maximum operating current: 15 mA (DC 5V).
- Working voltage range: DC 5~18 v.
- Load capacity:  $\leq 10$  mA (DC 5V).
- Work temperature:  $\leq 80^{\circ}\text{C}$
- Work humidity range: 35%~90%RH (no frost)
- Allowing pressure: pressure 2Mpa or less
- Storage temperature:  $-25 \sim +80^{\circ}\text{C}$
- Save humidity: 25%~95%RH
- Flow Range: 5-200L/min  $\pm 3\%$
- The output pulse duty cycle  $50 \pm 10\%$
- The output rise time  $0.04 \mu\text{S}$
- The output decline time  $0.18 \mu\text{S}$
- Flow - pulse characteristics  $\text{Horizontal test pulse frequency (Hz)} = [0.45 * Q] \pm 3\%$  (level test) (Q is flow rate L / min)

- Insulation resistance The insulation resistance between the Hall sensor and the copper body is 100 M  $\Omega$  or more. (DC 500V)
- Heat resistance In the  $80 \pm 3^{\circ}\text{C}$  environment for 48 h, return to normal temperature 1-2h no exception, and parts without cracks, relaxation, expansion, deformation and other phenomena, the accuracy of 10 % or less.
- Cold resistance In the  $-20 \pm 3^{\circ}\text{C}$  environment for 48 h, return to normal temperature 1-2h no exception, and parts without cracks, relaxation, expansion, deformation and other phenomena, the accuracy of 10 % or less.
- Moisture resistance In the  $40 \pm 2^{\circ}\text{C}$ , relative humidity 90% ~ 95% RH environment placed 72h after removal, the insulation resistance of 1M  $\Omega$  or more.
- Diameter: Approx. 4.5cm / 1.77inch
- Total Length: Approx. 9.2cm/3.62inch
- 3-Pin cable length: Approx. 50cm/19.69inch
- Color: Black

Scope of application :

Applicable to automatic gas water heater

Size:



Lead way:

