

# Pressure Sensor

## NB157

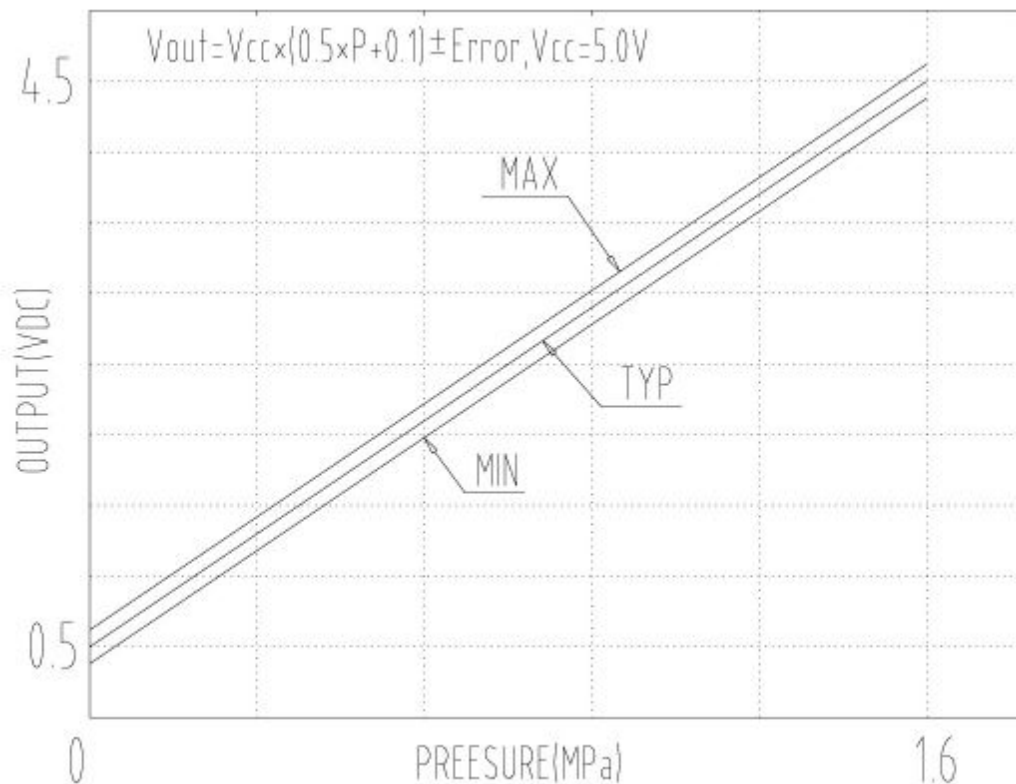
### typical application:

Clean, non-corrosive gas and liquid pressure measurement

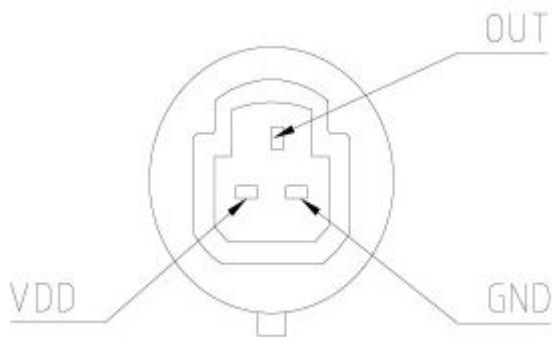
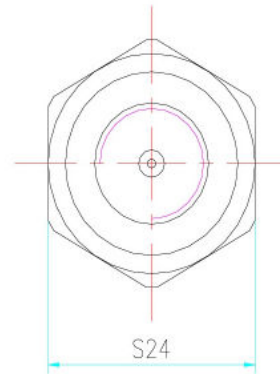
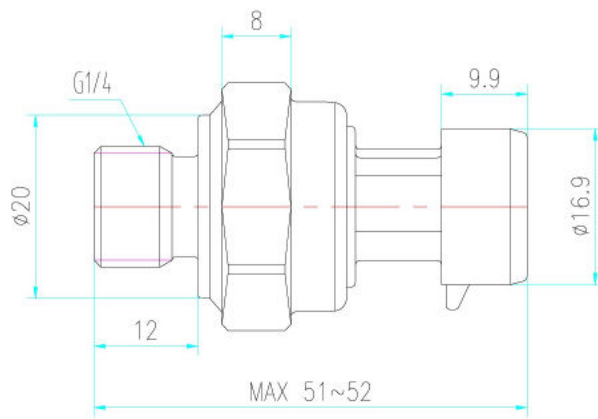
### Technical Parameters:

Operating Voltage:	5±0.5	VDC	range of working temperature:	-20~120	°C
The output voltage:	0.5~4.5	VDC@5V	Storage temperature range:	-20~120	°C
Working current:	≤ 10	mA	Measurement error:	± 3.0	%FS
Working pressure range:	0 ~1.6	MPa	IP65	IP65	
Maximum applied pressure:	3.0	MPa	Response time:	≤ 2.0	ms
Destroying pressure:	4.0	MPa	Cycle life:	1,000,000	pcs

### Output curve:



**Product pictures and dimensions :**



**Pin definition:**

VCC: red wire (power +)

OUT: yellow line (signal output)

GND: black wire (power-)